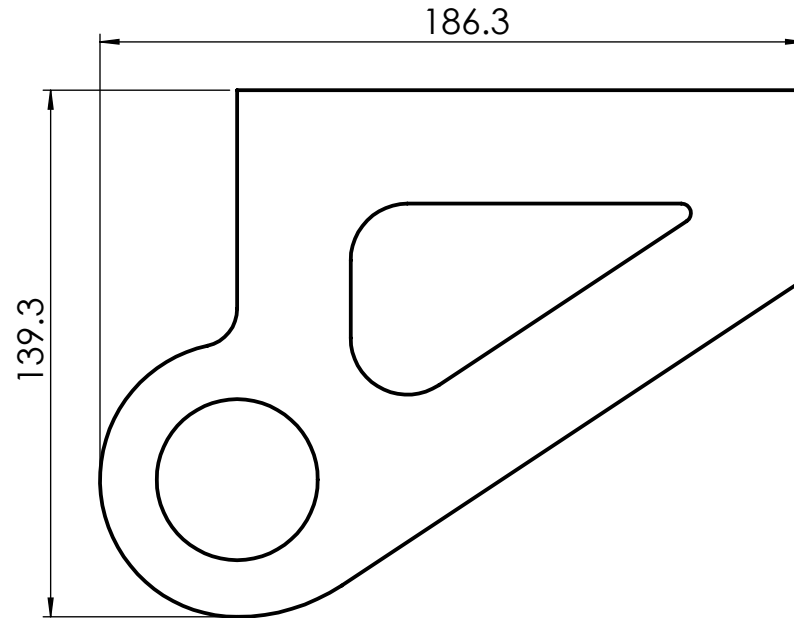


**FOLD ONE
WAY ONLY**

REVISIONS

REV.	DESCRIPTION	BY	DATE	ECN No.
--	--	--	--	--

DXF: handle
 Qty: 2
 Material: 6mm MS
 Project: 11307
 SL #410



LASER PROFILE

ALL BENDS 90° UNLESS SPECIFIED		PROPREITARY & CONFIDENTIAL © COPYRIGHT		ALL RIGHTS RESERVED. THIS DRAWING MUST NOT BE COPIED OR USED FOR ANY PURPOSE WITHOUT THE EXPRESS AUTHORITY OF ARB CORPORATION LIMITED.		ARB ARB Corporation Ltd		TITLE:		
REFER TO MATERIAL THICKNESS FOR BEND RADIUS, UNLESS OTHERWISE STATED		DO NOT SCALE		ALL DIMENSIONS IN MILLIMETERS		GENERAL MATERIALS AND FINISH REQUIREMENTS REFER TO S01-069		MATERIAL:		MASS (kg): 0.6
MATERIAL THICKNESS	1.2 - 3 mm	4 - 6 mm	ANGULAR TOL.	LINEAR TOL.	THIRD ANGLE PROJECTION		DETAILED	DATE	FINISH:	
INTERNAL BEND RADIUS	R1.0	R3.0	X° ± 1°	X ± 1.0	SCALE 1:2 SIZE A4		CHECKED	DATE	PART NO.: handle	
FOLDING PARAMETERS		X.X° ± 0.5°		X.X ± 0.5				PAGE 1 OF 2		REV.
FOLD DOWN FOLD UP										
REMOVE ALL BURRS & SHARP EDGES										